



# Dynalite Sensors

## DUS30LHB-DALI

Long-range high bay DALI network sensor

Long-range high bay DALI network sensor

### Product data

| General Information |   |
|---------------------|---|
| CE mark             | CE mark   |
| Remarks             | Please download the Lighting - Product Data Sheet for more information and ordering options |
| RoHS mark           | RoHS mark   |
| Product family code | YSENSO [ Sensors]   |

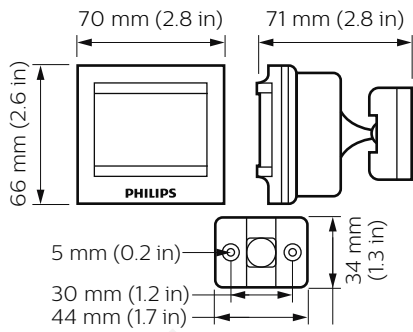
| Application Conditions    |              |
|---------------------------|--------------|
| Ambient temperature range | -5 to +50 °C |

| Product Data      |                 |
|-------------------|-----------------|
| Full product code | 871869600512500 |

|                                 |               |
|---------------------------------|---------------|
| Order product name              | DUS30LHB-DALI |
| EAN/UPC - Product               | 8718696005125 |
| Order code                      | 913703015609  |
| Numerator - Quantity Per Pack   | 1             |
| Numerator - Packs per outer box | 1             |
| Material Nr. (12NC)             | 913703015609  |
| Net Weight (Piece)              | 75.000 g      |

## Dynalite Sensors

### Dimensional drawing



Dynalite Sensors



Sales@automated.net.au  
+61 2 9247 0731  
Head Office: Suite 4, Level 5  
37 Pitt Street  
Sydney NSW 2000  
Australia Wide