



# PIR Occupancy Sensor

## Ceiling mounted high definition 360 degree PIR sensor



www.dignet.net.au



### Range

DGEMS360CL

### Overview

A compact, low profile 360° passive infrared (PIR) sensor for connection to a RAPIX eHub.

The sensor includes a detection lens which senses both Minor and Major Movement (as defined by NEMA Standard WD 7 - 2011 for Occupancy Motion Sensors).

Movement is detected via a sensor array with 864 fields of view, ensuring reliable operation to a distance of 7m diameter. The device also includes a light sensor for detecting ambient light levels.

Adjustment sliders for time-out and light level are discreetly hidden in the patented sensor head which pops out providing easy configuration after installation, without any tools.

### Features

**Connect directly to a RAPIX eHub** (up to 2 sensors per eHub)

**High sensitivity 360° detection** array designed for both minor and major movement applications

**Unobtrusive, 60mm diameter,** flush-mount design

**Integrated light level detector** to inhibit switch-on if there is sufficient natural light available

**Adjustment controls easy to read** and set without a tool

**Hidden yet easily accessible** sensor head adjustment controls for time-out and light level adjustment

### Typical Applications

Cellular offices  
Open plan offices

Meeting rooms  
Corridors

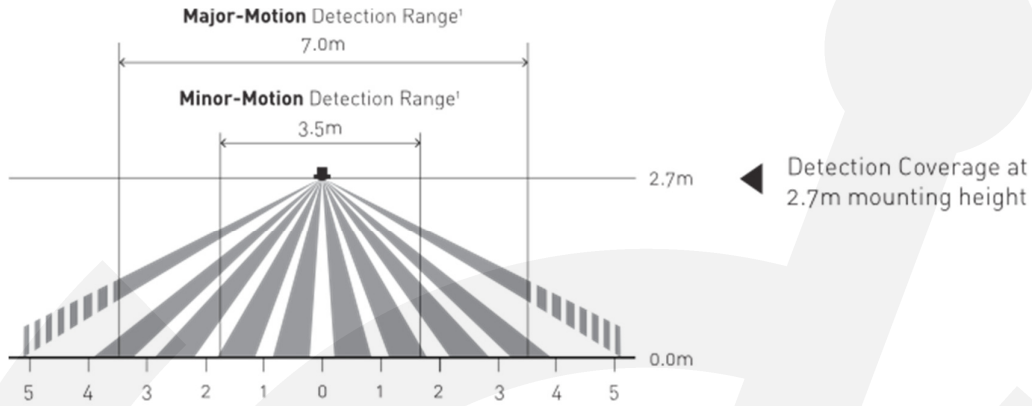
Classrooms  
Toilets



## PIR Occupancy Sensor

Ceiling mounted high definition 360 degree PIR sensor

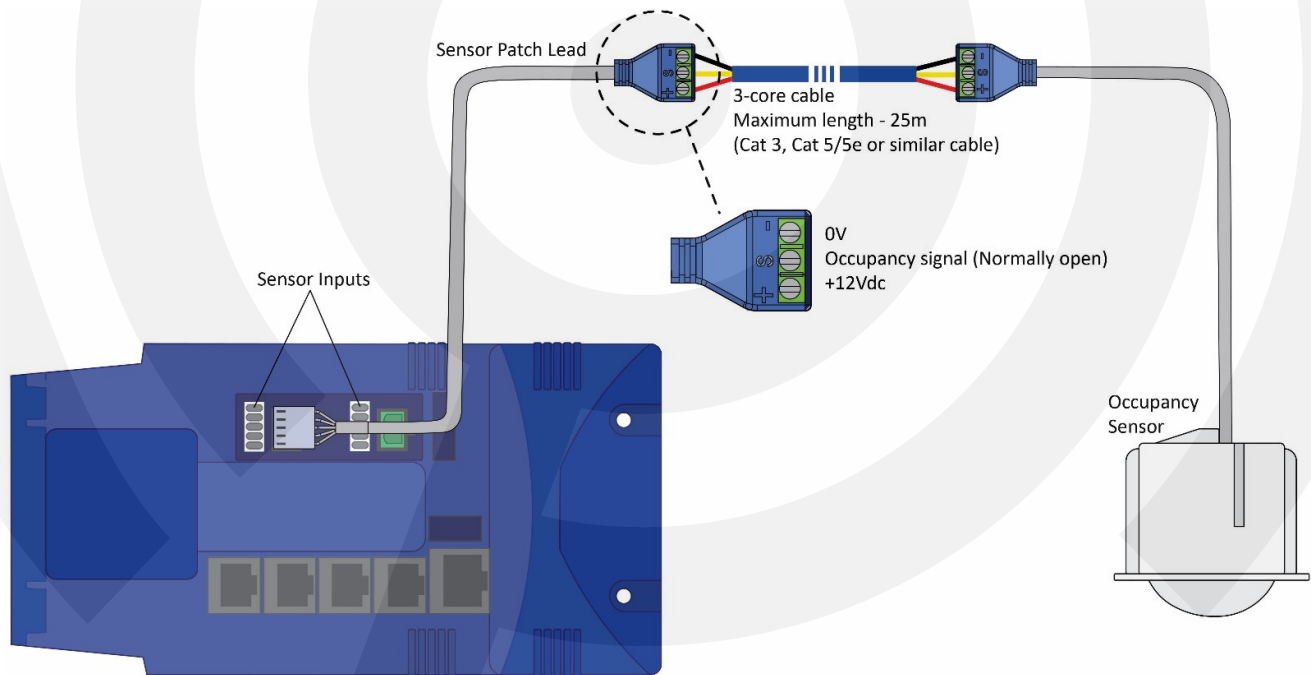
### Sensor Detection Range



<sup>1</sup> As defined by NEMA Standard WD 7 - 2011 for Occupancy Motion Sensors

### Connection to RAPIX eHub

A sensor patch lead is provided with the above sensors and connected to the eHub as shown below.

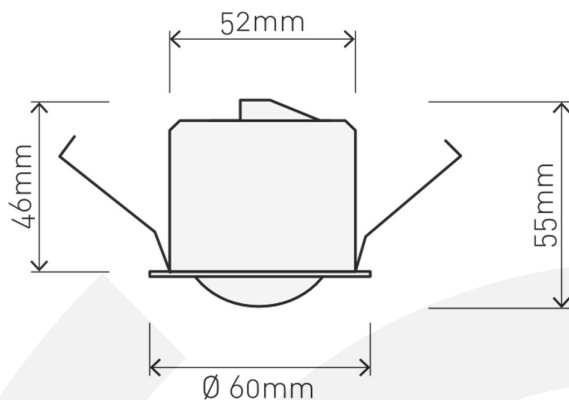




## PIR Occupancy Sensor

Ceiling mounted high definition 360 degree PIR sensor

### Dimensions



### Approvals & Compliance

IP20  

### CONTACT INFORMATION

Web	<a href="http://www.diginet.net.au">www.diginet.net.au</a>	
General Enquiries:	1300 95 DALI (3254)	<a href="mailto:sales@diginet.net.au">sales@diginet.net.au</a>
Technical Services:	1300 95 3244	<a href="mailto:support@diginet.net.au">support@diginet.net.au</a>
Fax:	1300 95 3257	

### PRODUCT OF GERARD LIGHTING PTY LTD

ABN – 89 095 788 864  
96-112 Gow Street  
Padstow NSW 2211



### DIGINET IS A BRAND OF THE GERARD LIGHTING GROUP

The product includes a **TWO-YEAR WARRANTY** against manufacturing defects. Fully warranty terms can be found here [www.diginet.net.au](http://www.diginet.net.au)

**COPYRIGHT.** ©This document is copyright to Gerard Lighting Pty Ltd. Except as permitted under relevant law, no part of this user and installation guide may be reproduced by any process without written permission of and acknowledgement to Gerard Lighting. **DISCLAIMER.** Gerard Lighting Pty Ltd (Gerard Lighting) reserves the right to alter the specifications, designs or other features of any items and to discontinue any items at any time without notice and without liability. While every effort is made to ensure that all information in this user and installation guide is correct, no warranty of accuracy is given and Gerard Lighting shall not be liable for any error. **TRADEMARKS.** The identified trademarks and copyrights are the property of Gerard Lighting Pty Ltd unless otherwise noted.