



Light Level Sensor



www.dignet.net.au



Range **DGOZ-LLS-M**

Overview

The Light Level Sensor can be used as part of a RAPIX Lighting Control System to control a space based on ambient light measurement.

The RAPIX Light Level Sensor connects directly to an eHub and is used to measure light levels in a space and send this information to the eHub for logic processing. The required operation of the light level sensor/eHub is configured in the RAPIX Integrator software package.

Up to three RAPIX PIR occupancy sensors can optionally be directly connected to the light level sensor.

Features

Connects to and powered from a RAPIX eHub.

0 to 4000 Lux sensing range.

Allows connection to three PIR sensors.

Fits standard Australian wall plate aperture.

Suitable for ceiling and wall mount.

Designed in Australia.

Possible Operational Setups

'Daylight harvesting', where DALI luminaires connected to a RAPIX Lighting Control System are dimmed up or down to maintain a required illuminance (Lux) level on a desktop.

Set PIR sensor operation based on Light Level, for example: movement detected by PIR turns a RAPIX Zone on, but only in dark; or movement detected by PIR turns a RAPIX Zone on, but only in light.

Stepped light level response to allow different events to occur on a RAPIX Lighting Control System at different light levels.

Sunset/sunrise switch operation. For example lighting switches on at low light/night/dusk and off for sunrise /daylight.

Enable/disable the light level sensor.

Enable/disable PIR's connected to the Light Level Sensor.

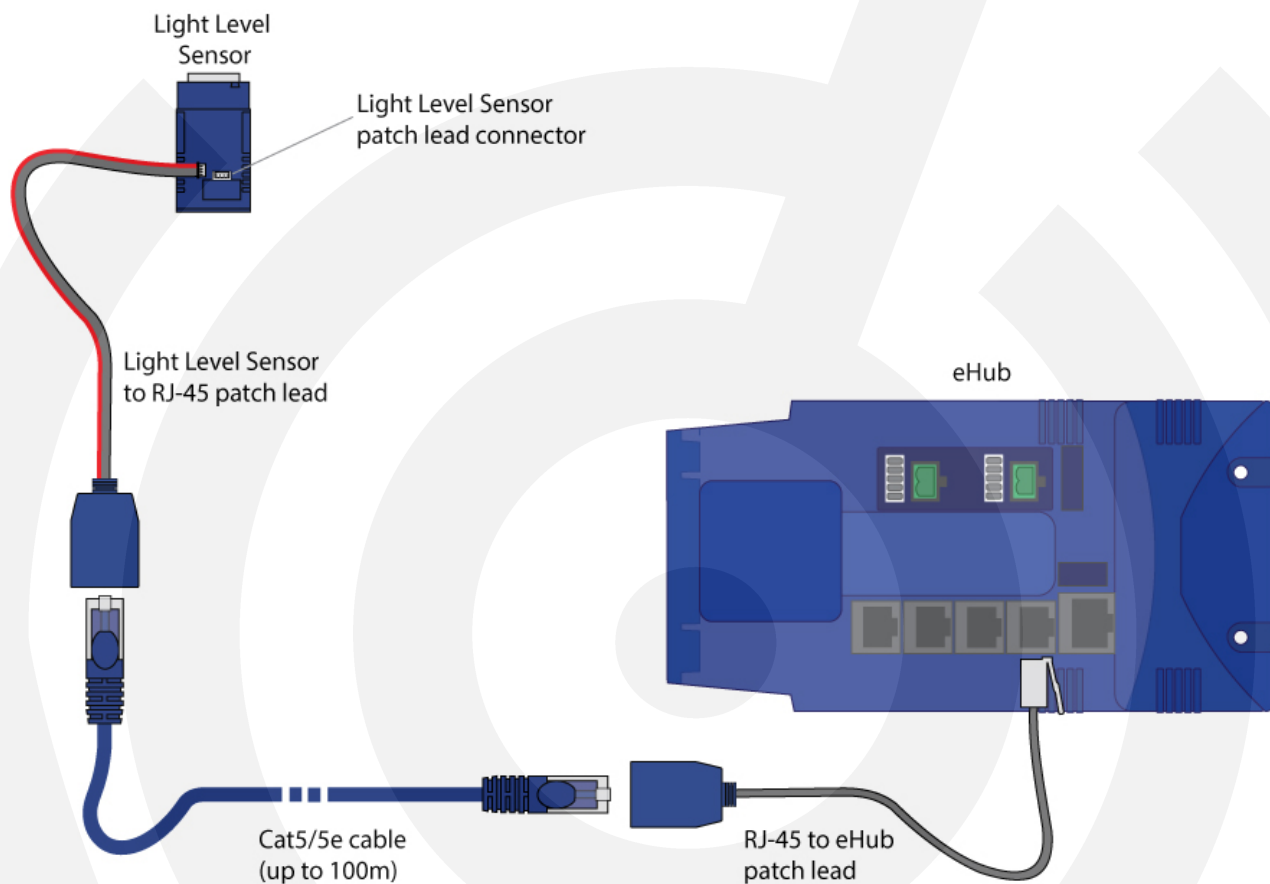


Light Level Sensor

Connection to RAPIX eHub

The Light Level Sensor is **only suitable for use with the RAPIX eHub**.

The Light Level Sensor can be connected and powered from any of the four eHub smart channel inputs. Patch leads are provided to connect the Light Level Sensor to the eHub as shown below.

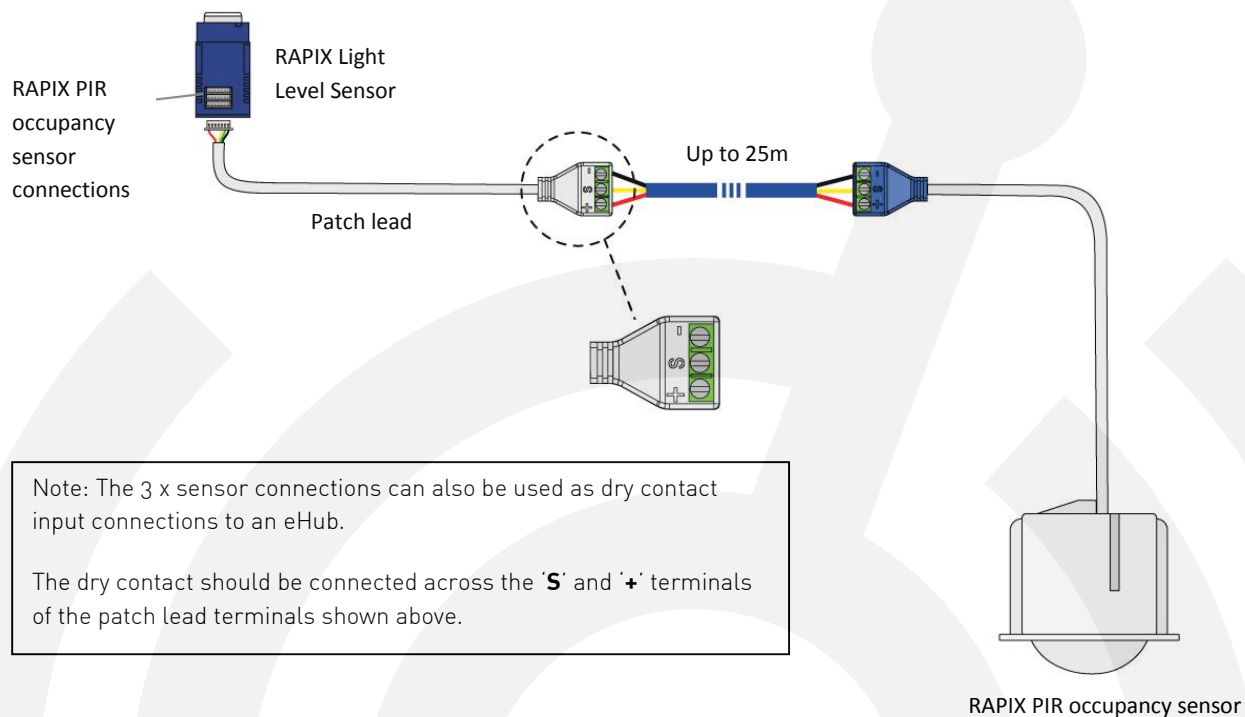




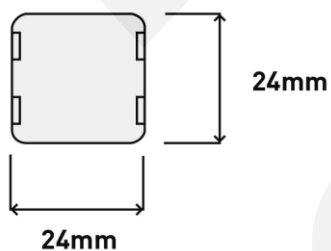
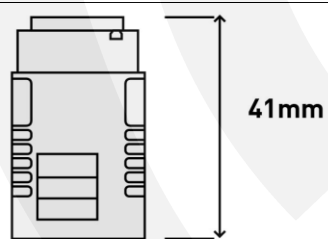
Light Level Sensor

Connecting a PIR sensor to the Light Level Sensor

Up to three RAPIX PIR sensors can be connected to a Light Level Sensor, as shown below.



Dimensions





Light Level Sensor

Specifications

| Parameter | Specification |
|--|--|
| Input Voltage | 12Vdc (supplied via RAPIX eHub) |
| Input current | 10 mA with no PIRS. Up to 160 mA fully populated with PIR's. Each PIR should have a current draw ↓ 50 mA. A suitably sized eHub power supply should be used that can handle the total number of PIRs. |
| Light Level Measurement Range | 1 to 4000 Lux |
| Automatic Light Level Maintenance Range | 100 to 1000 Lux when used with RAPIX eHub |
| Automatic Light Level Maintenance Tolerance | 10% |
| Light Level sensor Field of view | 180° |
| Operating Temp | 0-50°C |
| Number of PIR connections supported | 3 |
| Maximum distance between eHub and LLS | 100m |
| Maximum distance between LLS and a PIR | 25m using cat5/cat5e/cat6 cable |
| IP Rating | IP20 |
| Identification LED indicator colour | Red |
| Approvals | |

Approvals & Compliance

IP20

CONTACT INFORMATION

Web www.diginet.net.au
 General Enquiries: 1300 95 DALI (3254)
 Technical Services: 1300 95 3244
 Fax: 1300 95 3257

sales@diginet.net.au
support@diginet.net.au

PRODUCT OF GERARD LIGHTING PTY LTD

ABN – 89 095 788 864
 96-112 Gow Street
 Padstow NSW 2211



DIGINET IS A BRAND OF THE GERARD LIGHTING GROUP

The product includes a **TWO-YEAR WARRANTY** against manufacturing defects. Fully warranty terms can be found here www.diginet.net.au
COPYRIGHT. ©This document is copyright to Gerard Lighting Pty Ltd. Except as permitted under relevant law, no part of this user and installation guide may be reproduced by any process without written permission of and acknowledgement to Gerard Lighting. **DISCLAIMER.** Gerard Lighting Pty Ltd (Gerard Lighting) reserves the right to alter the specifications, designs or other features of any items and to discontinue any items at any time without notice and without liability. While every effort is made to ensure that all information in this user and installation guide is correct, no warranty of accuracy is given and Gerard Lighting shall not be liable for any error. **TRADEMARKS.** The identified trademarks and copyrights are the property of Gerard Lighting Pty Ltd unless otherwise noted.