



Multiplexor for Occupancy Sensors

With inputs for up to three occupancy sensors



www.dignet.net.au



Range

DGOZ-MPX-PIR3

Overview

The Multiplexor [DGOZ-MPX-PIR3] is used as part of a RAPIX Lighting Control System to allow each of the four smart ports on an eHub to control up multiple occupancy sensors.

The RAPIX Multiplexor connects directly to an eHub and up to three occupancy sensors can be directly connected to each Multiplexor.

Features

Expands eHub smart ports to allow three occupancy sensors to be connected to each of the four ports (12 in total)

The Multiplexor connects directly to and is powered from a RAPIX eHub

No terminal blocks on the Multiplexor for the eHub and sensor connections - uses plug-in connectors

Light and small size, only 41mm x 24mm x 24mm

SELV only, No mains segregation requirements



Multiplexor

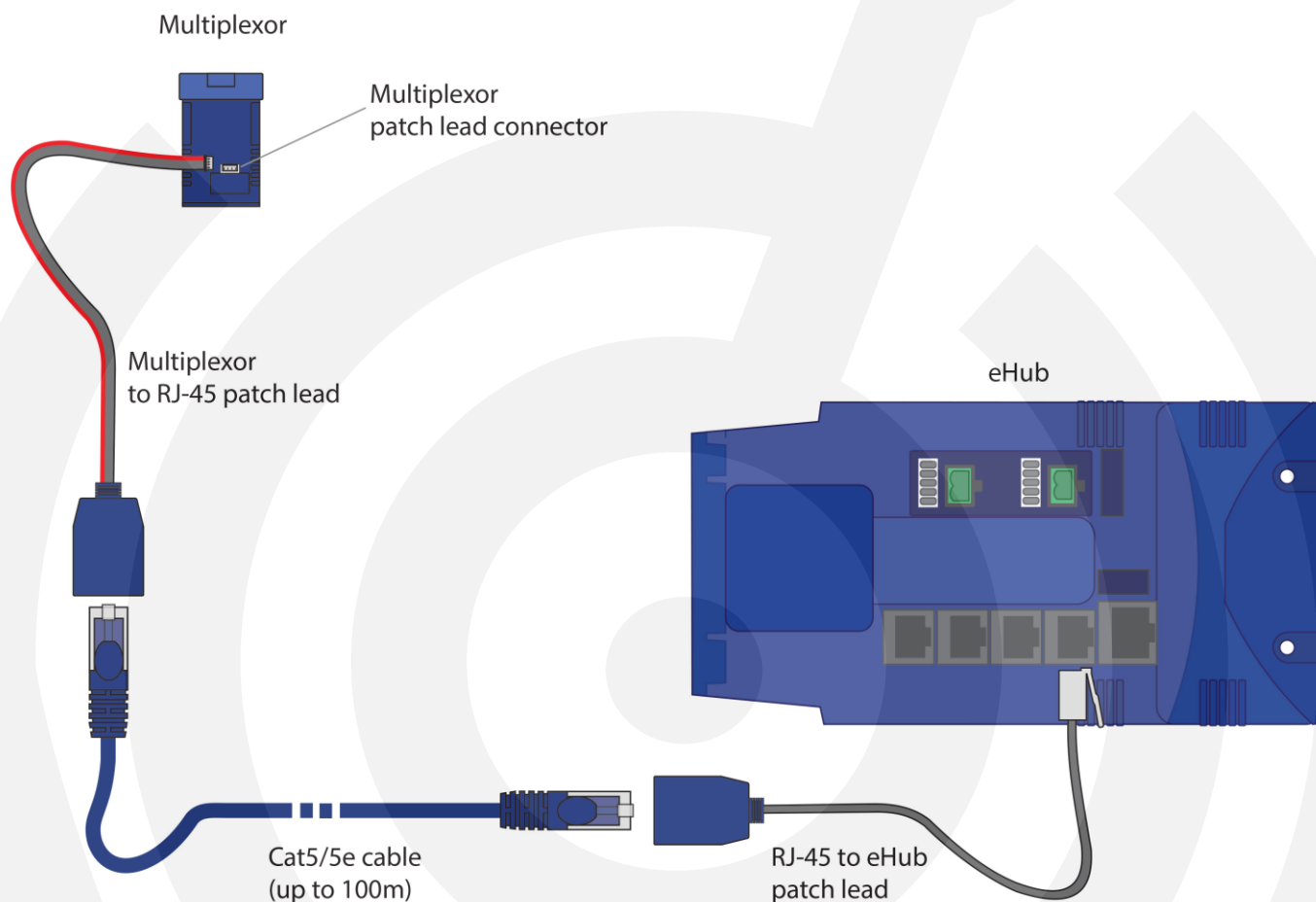
With inputs for up to three occupancy sensors

Connection to RAPIX eHub

The Multiplexor is **only suitable for use with the RAPIX eHub**.

The Multiplexor can be connected and powered from any of the four eHub smart channel inputs.

Patch leads are provided to connect the Multiplexor to the eHub as shown below.



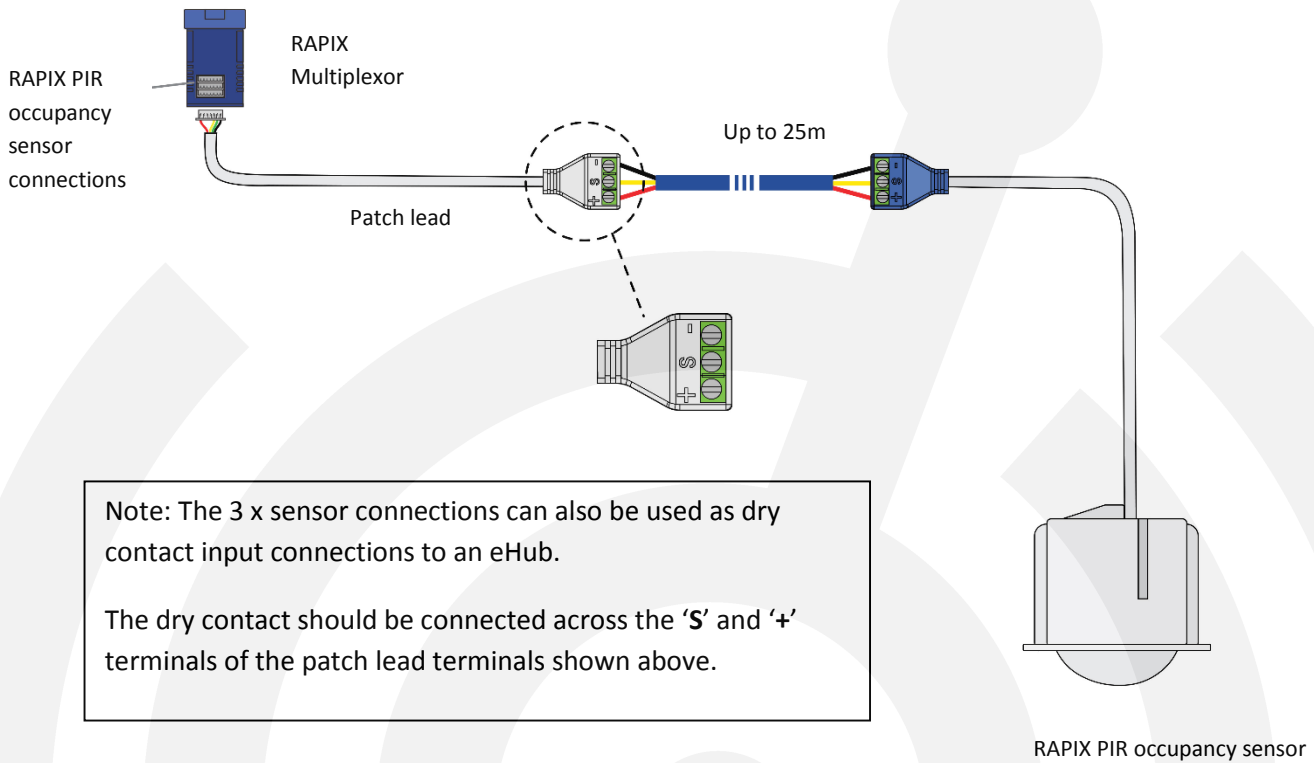


Multiplexor

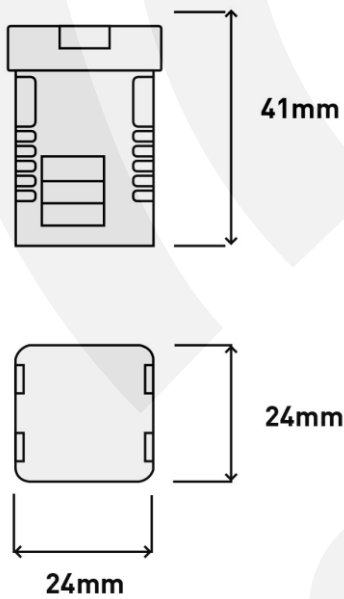
With inputs for up to three occupancy sensors

Connecting a PIR sensor to the Multiplexor

Up to three RAPIX occupancy sensors can be connected to a Multiplexor, as shown below.



Dimensions





Multiplexor

With inputs for up to three occupancy sensors

Specifications

Parameter	Specification
Input Voltage	12Vdc (supplied via RAPIX eHub)
Input current	10 mA with no PIRS. Up to 160 mA fully populated with PIR's. Each PIR should have a current draw ↓ 50 mA. A suitably sized eHub power supply should be used that can handle the total number of PIRs.
Operating Temp	0-50°C
Number of PIR connections supported	3
Maximum distance between eHub and LLS	100m (cat5/cat5e/cat6 cable)
Maximum distance between LLS and a PIR	25m (cat5/cat5e/cat6 cable)
IP Rating	IP20
Identification LED indicator colour	Red
Input Voltage	12Vdc (supplied via RAPIX eHub)
Input current	10 mA with no PIRS. Up to 160 mA fully populated with PIR's. Each PIR should have a current draw ↓ 50 mA. A suitably sized eHub power supply should be used that can handle the total number of PIRs.
Operating Temp	0-50°C
Number of PIR connections supported	3
Approvals	

Approvals & Compliance

IP20

CONTACT INFORMATION

Web www.diginet.net.au
 General Enquiries: 1300 95 DALI (3254) sales@diginet.net.au
 Technical Services: 1300 95 3244 support@diginet.net.au
 Fax: 1300 95 3257

PRODUCT OF GERARD LIGHTING PTY LTD

ABN – 89 095 788 864
 96-112 Gow Street
 Padstow NSW 2211



DIGINET IS A BRAND OF THE GERARD LIGHTING GROUP

The product includes a **TWO-YEAR WARRANTY** against manufacturing defects. Fully warranty terms can be found here www.diginet.net.au
COPYRIGHT. ©This document is copyright to Gerard Lighting Pty Ltd. Except as permitted under relevant law, no part of this user and installation guide may be reproduced by any process without written permission of and acknowledgement to Gerard Lighting. **DISCLAIMER.** Gerard Lighting Pty Ltd (Gerard Lighting) reserves the right to alter the specifications, designs or other features of any items and to discontinue any items at any time without notice and without liability. While every effort is made to ensure that all information in this user and installation guide is correct, no warranty of accuracy is given and Gerard Lighting shall not be liable for any error. **TRADEMARKS.** The identified trademarks and copyrights are the property of Gerard Lighting Pty Ltd unless otherwise noted.