



www.dignet.net.au

# RAPIX System LCD Touch Switch

Connects directly to a RAPIX eHub smart input



## Range

**DGOZ-TCSW-LR35**

## Overview

The LCD Touch Switch provides a wall mounted control interface for the RAPIX Lighting Control System. The switch is fully configurable via RAPIX Integrator software, with a maximum of 20 touch-based buttons (over 4 pages). Each button can be assigned real names and a range of graphical interface options are selectable from a collection of themes.

A wide range of button functions are supported through RAPIX Integrator software. For example, push and hold to fade up or down, scene control, timers and many other options.

To enable quick and easy installation, the switch connects directly to a RAPIX eHub smart input, with no need for a separate power supply connection. It is designed to be mounted using standard Australian wall switch mounting brackets and wall boxes.

## Features

**3.5" colour LCD** with resistive touch overlay

**Up to 20 software** configurable control buttons

**Mounted using standard** Australian brackets and wall boxes

**Sealed fascia** for cleaning agent resistance

**Supports date and time display**

**Optional beep** when touched

**Customisable button names** with Unicode support

**Ability to show progress** of fading operations (up, down) and timer operations

**Optional fall-back page** which can be configured to show a blank page, time, date and time or a definable logo

**Supports 6 common languages** (English, French, German, Italian, Spanish and Simplified Chinese)

**Screen brightness** can be configured via RAPIX Integrator software

**Automatic brightness control** based on timeout after a touch

**Support for firmware** updates

## Typical Applications

Commercial buildings  
Hotels  
Health care facilities

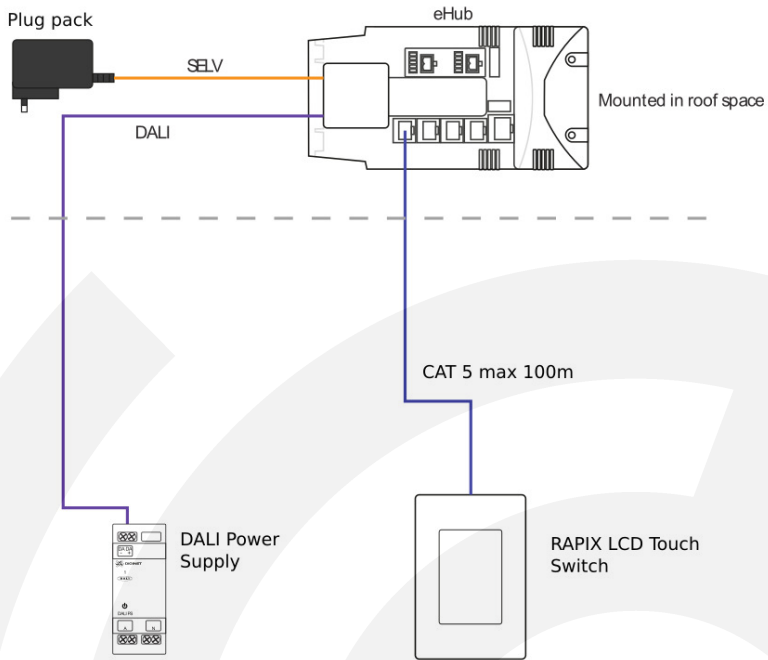
Education facilities  
Museums  
Art Galleries

Meeting rooms  
Board rooms  
Homes

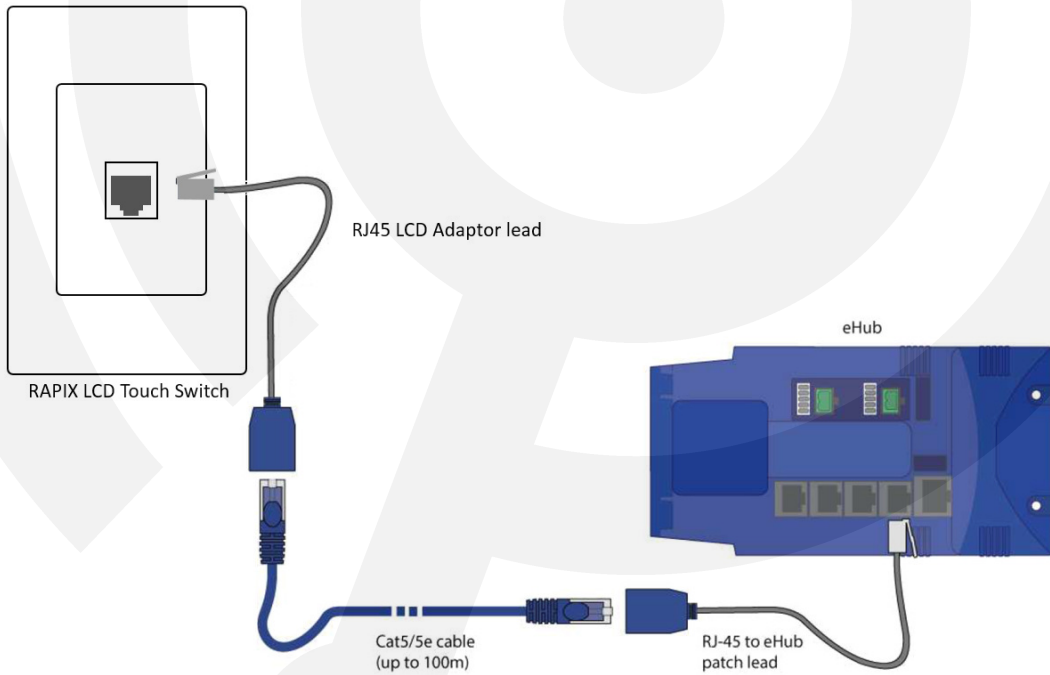


# RAPIX System LCD Touch Switch

## Connections



## Wiring



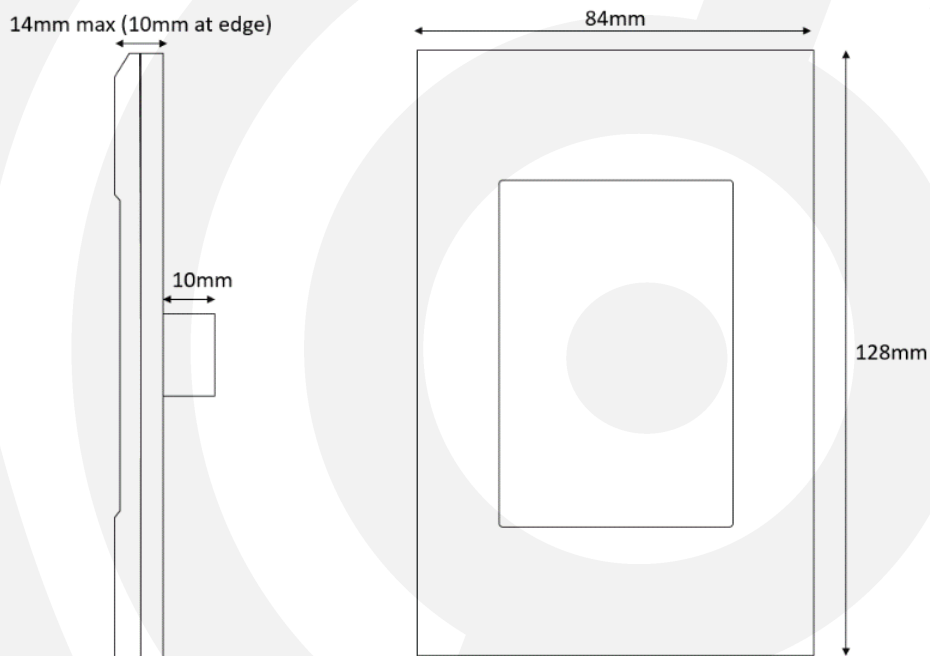


# RPIX System LCD Touch Switch

## Specifications

Screen Size	3.5"
Screen Resolution	480 x 320 pixels
Colour depth	65K
Pixel Pitch	0.153(H)mm x 0.153(V)mm
Brightness	220cd/m (configurable in software)
Contrast Ratio	500:1
Touch Overlay Type	Resistive
Connection	Connects to eHub using RJ11/RJ12 patch lead or RJ45 patch lead
Display Viewing Area	49mm x 73mm
Weight	80g
Number of control buttons	Configurable for 1 - 20 buttons Single page: up to 6 buttons Multiple Pages: up to 5 buttons per page
Operating Temp. Range	0 - 50°C
Operating Humidity Range	10% - 95% RH non condensing
Compliance Marks	ROHS, WEEE, CE, RCM

## Dimensions



### Approvals & Compliance



### CONTACT INFORMATION

Web [www.diginet.net.au](http://www.diginet.net.au)  
 General Enquiries: 1300 95 DALI (3254)  
 Technical Services: 1300 95 3244  
 Fax: 1300 95 3257

[sales@diginet.net.au](mailto:sales@diginet.net.au)  
[support@diginet.net.au](mailto:support@diginet.net.au)

### PRODUCT OF GERARD LIGHTING PTY LTD

ABN - 94 122 520 307  
 96-112 Gow Street  
 Padstow NSW 2211

### DIGINET IS A BRAND OF GERARD LIGHTING GROUP

The product includes a **TWO-YEAR WARRANTY** against manufacturing defects. Fully warranty terms can be found here [www.diginet.net.au](http://www.diginet.net.au)

**COPYRIGHT.** ©This document is copyright to Gerard Lighting Pty Ltd. Except as permitted under relevant law, no part of this user and installation guide may be reproduced by any process without written permission of and acknowledgement to Gerard Lighting. **DISCLAIMER.** Gerard Lighting Pty Ltd reserves the right to alter the specifications, designs or other features of any items and to discontinue any items at any time without notice and without liability. While every effort is made to ensure that all information in this user and installation guide is correct, no warranty of accuracy is given and Gerard Lighting shall not be liable for any error. **TRADEMARKS.** The identified trademarks and copyrights are the property of Gerard Lighting Pty Ltd unless otherwise noted.