



eHub

Consolidation device for RAPIX input peripherals



www.dignet.net.au



Range **DGOZ-EHUB-4G-2S**

Overview

The RAPIX eHub is a system device which connects between RAPIX input peripherals and a DALI line. The eHub manages device power requirements, embedded logical functions and DALI communications for the connected peripherals. The connected input peripherals, such as wall switches and sensors, are then able to communicate with a DALI Line.

The unit includes four inputs for connecting to RAPIX Lighting Control System switches or smart sensors, and two additional input connections for occupancy sensors or dry contacts.

The eHub is a compact unit which fits through a standard 90mm down light hole and is suitable for locating in a ceiling void.

The eHub is configured via the Dignet RAPIX software suite.

Features

Powered via external 12V dc SELV power supply

Fits through a 90mm downlight hole

Actions for connected input peripherals are configurable. For example, a RAPIX modular switch can be configured as a toggle dimmer, memory dimmer, long press fade time, double tap action and many other configurations

Input sockets for quick and easy input peripheral connection

Programmed via DALI

Segregated terminal block for DALI Line connections

Four input connections for RAPIX smart input peripherals

LED indicators for power, DALI and Ethernet

Two input connectors for occupancy sensors and/or dry contacts input peripherals

Support for 32 'Zones', Zones being collections of DALI Groups and/or DALI Short Addresses

Suitable for mounting in a ceiling void

Support for up to 16 DALI scenes and (additionally) 16 RAPIX scenes.

Typical Applications

Commercial buildings
Boardrooms

Hotels
Health care facilities

Education facilities
Homes



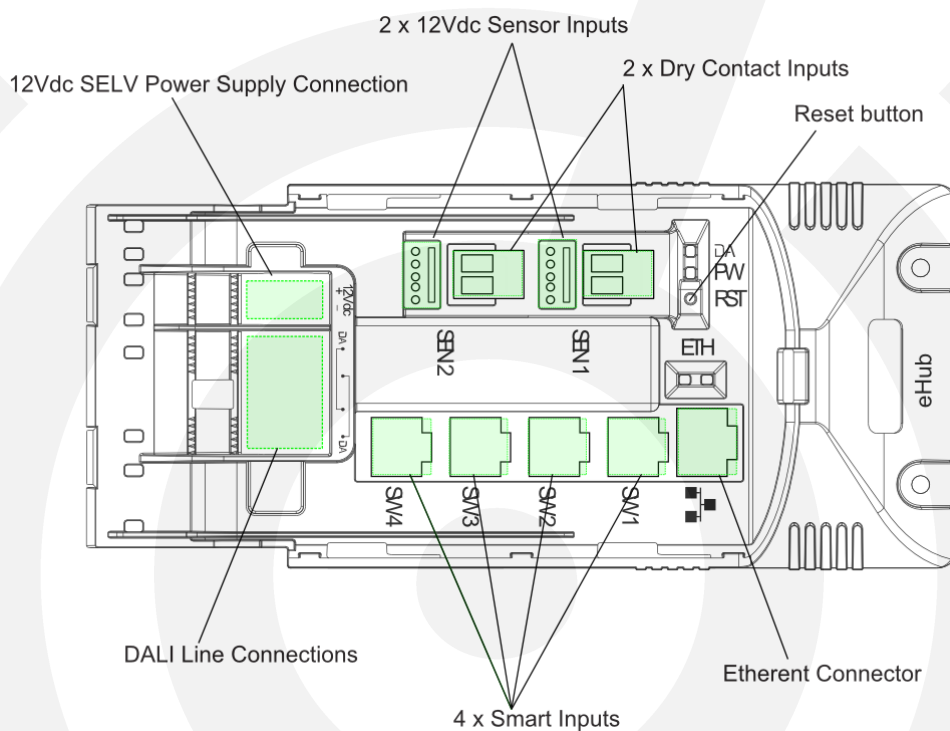
eHub

Consolidation device for RAPIX input peripherals

Input and output connections

The eHub connects to the following:

- 12V dc SELV power supply connection
- A DALI Line, with up to 64 DALI devices (each with a DALI Short Address) connected to the line
- Four connections for RAPIX smart input peripherals
- Two input peripheral connections for dry contacts and two 12V dc sensors (*Note: each pair of dry contact and 12V dc sensor inputs are internally connected in parallel*)
- An Ethernet connection (future use)

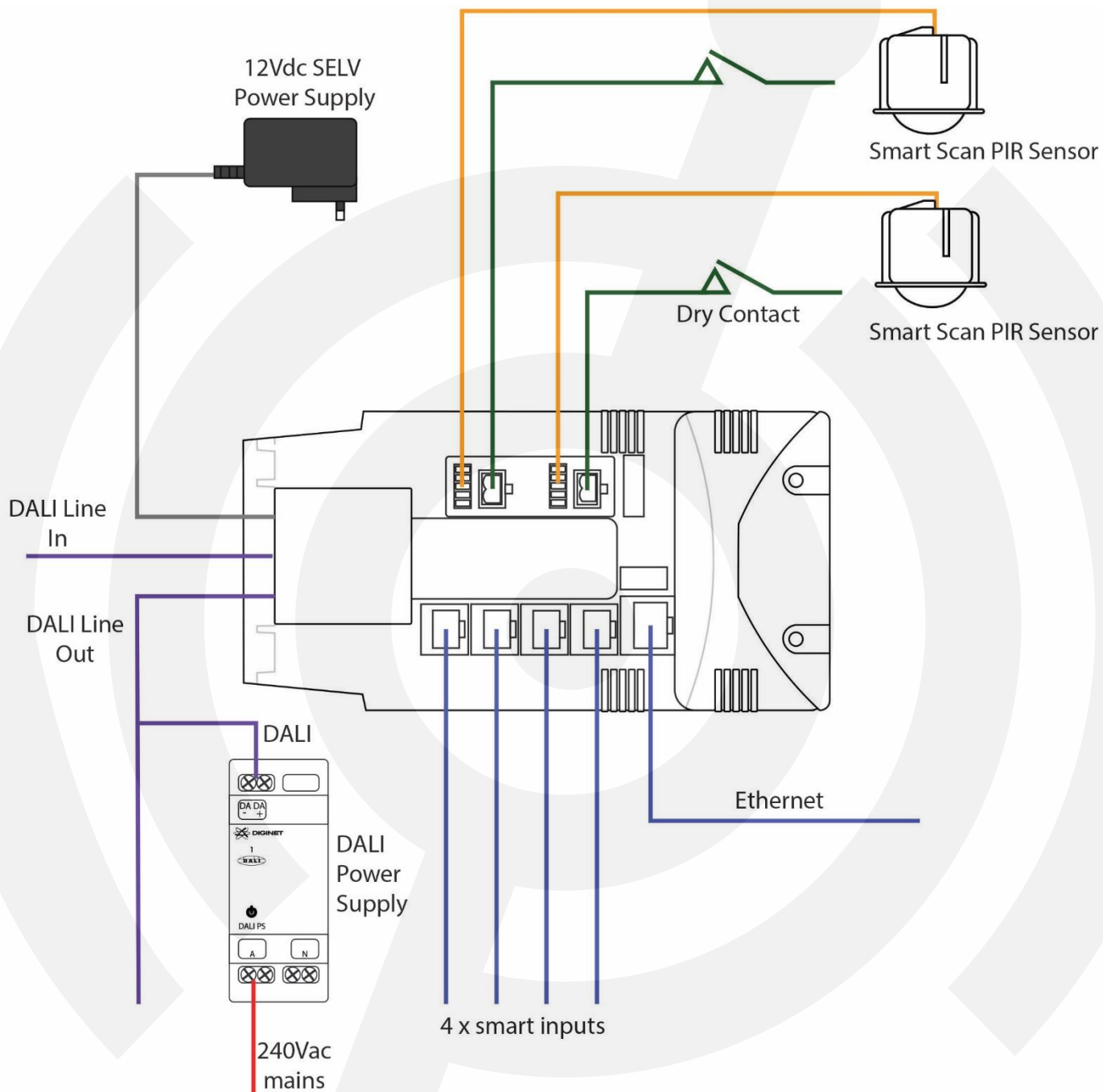




eHub

Consolidation device for RAPIX input peripherals

Connections










eHub

Consolidation device for RAPIX input peripherals

Specifications

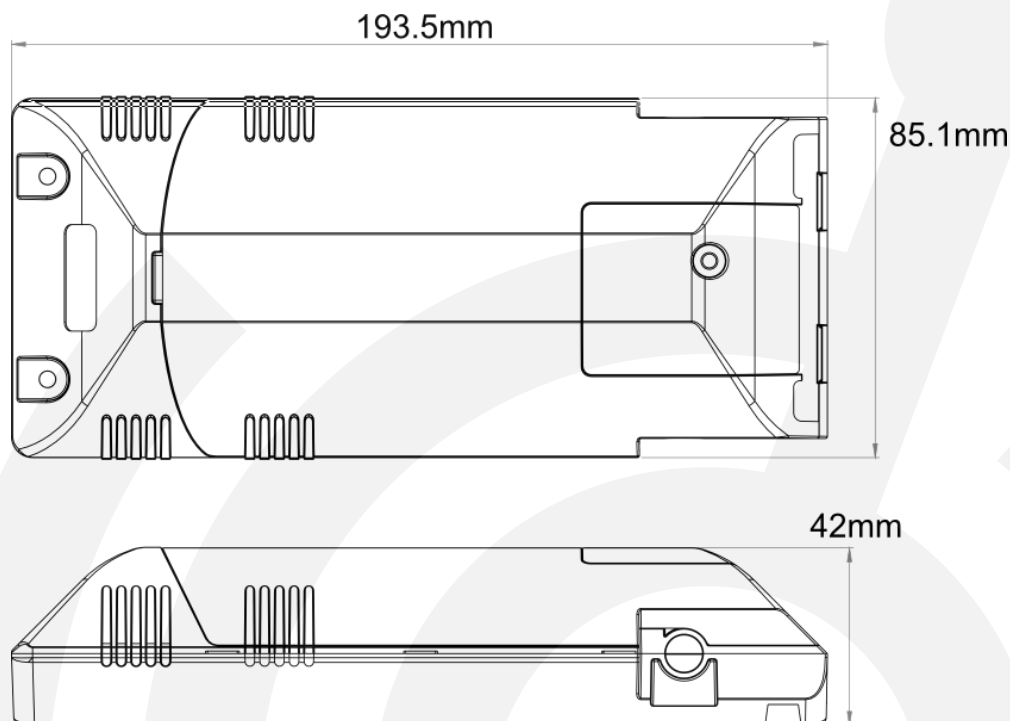
Parameter	Specification
DALI Line capacity	Connection for 1 DALI line Up to 64 devices with DALI Short Addresses can be connected Note: The eHub itself does not require a DALI Short Address to be allocated
Max no. of unit's per DALI Line	24
DALI Line operating voltage	18V dc (nominal), supplied by external DALI power supply
DALI Line current draw	2mA (nominal)
Power	External SELV power supply, 12V dc regulated, 1.5A (including power capacity for input peripheral devices)
Number of smart inputs	4
Number of dry contact inputs	2 voltage free, isolated, dry contact inputs (in parallel with sensor inputs)
12V dc Sensor inputs	2 sensor inputs (in parallel with dry-contact inputs)
Ethernet Connection	10/100 Base-T, RJ45 connector
DALI connection	4 Tunnel Terminal block, each tunnel suitable for 2 x 2.5sqmm
LED Indicators	Power - Red DALI - Green Ethernet - Green (Link) + Yellow (Data)
External Power connector	Two tunnel terminal block for dc + and -
Ambient operating temperature	0 to 50° C
Ambient storage temperature	-10 to 70° C
Humidity	0% to 95% RH non condensing
Ingress protection	IP20
Materials	Enclosure - Flame retardant ABS
Weight	215g
Approvals	    



eHub

Consolidation device for RAPIX input peripherals

Dimensions



Approvals & Compliance

IP20  

CONTACT INFORMATION

Web: www.diginet.net.au
 General Enquiries: 1300 95 DALI (3254)
 Technical Services: 1300 95 3244
 Fax: 1300 95 3257

sales@diginet.net.au
support@diginet.net.au

PRODUCT OF GERARD LIGHTING PTY LTD

ABN – 94 122 520 307
 96-112 Gow Street
 Padstow NSW 2211



DIGINET IS A BRAND OF THE GERARD LIGHTING GROUP

The product includes a **TWO-YEAR WARRANTY** against manufacturing defects. Fully warranty terms can be found here www.diginet.net.au
COPYRIGHT. ©This document is copyright to Gerard Lighting Pty Ltd. Except as permitted under relevant law, no part of this user and installation guide may be reproduced by any process without written permission of and acknowledgement to Gerard Lighting. **DISCLAIMER.** Gerard Lighting Pty Ltd (Gerard Lighting) reserves the right to alter the specifications, designs or other features of any items and to discontinue any items at any time without notice and without liability. While every effort is made to ensure that all information in this user and installation guide is correct, no warranty of accuracy is given and Gerard Lighting shall not be liable for any error. **TRADEMARKS.** The identified trademarks and copyrights are the property of Gerard Lighting Pty Ltd unless otherwise noted.