



Modular switch range

– Rotary Switch



www.dignet.net.au



Master



Slave



Wall plate not included

Range

Master	DGOZ-MOSW-M-RE
Slave	DGOZ-MOSW-S-RE

Overview

Modular digital rotary switches with integral push switch for the RAPIX Lighting Control System which fit in standard Australian wall plate apertures.

The Rotary Switches are available as Masters or Slaves. Master Rotary Switches connect to a RAPIX eHub. Each Master Rotary Switch is capable of being connected to one Slave Rotary Switch.

Rotary Switches can be configured in RAPIX software to perform a wide range of functions and each module (Masters and Slaves) includes two software configurable LED indicator colours, white and warm white

Features

Two configurable LED colours, white and amber

Fits standard Australian wall plate apertures

Master RAPIX modular switches connect to the eHub and are powered via the eHub

Slave RAPIX modular switches connect to a master and are powered via the master

Typical switch functions include

- Toggle on / off
- Fade lights up or down
- Start or cancel a timer
- Recall a fixed level
- Toggle between off and the current level
- Issue a scene

All commissioning is carried on via Dignet RAPIX software suite. The configuration is downloaded to the eHub via a DALI line.

Typical Applications

Commercial buildings
Boardrooms

Education facilities
Residential buildings

Connecting to the eHub

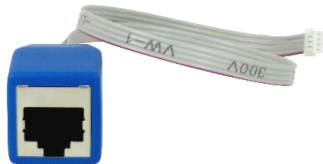
Each master RAPIX modular switch is supplied with the following patch leads.



Modular switch range – Rotary Switch



eHub to RJ-45 patch lead



Master RAPIX modular switch to RJ-45 patch lead

These two patch leads are used in conjunction with standard Cat5/Cat5e cable and RJ-45 connectors to connect master RAPIX modular switches in the eHub. See the pictures and diagram on the following page.

eHub patch lead connections



Connection between a master RAPIX modular switch and RJ-45 patch lead



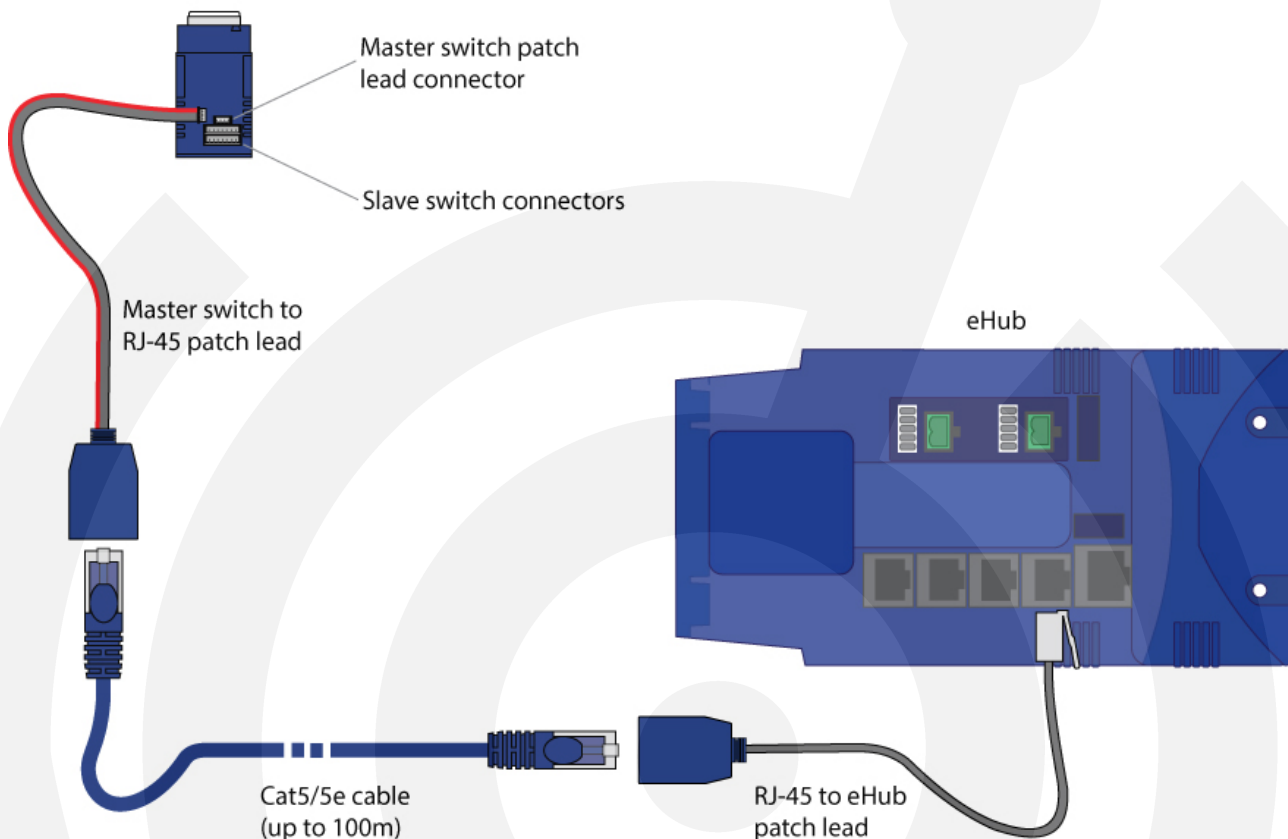
Connection between the eHub and RJ-45 patch lead



Modular switch range – Rotary Switch

Connections from the eHub to a master RAPIX modular switch

The diagram below shows the connections between the eHub and a master RAPIX modular switch. The maximum distance between a master RAPIX modular switch and the eHub is 100m.



Connecting masters to slaves

Slave RAPIX modular switches connect directly to masters. Slaves have an integrated flying lead with a male connector. Masters have matching female sockets.







Connection between a master and slave RAPIX modular switch



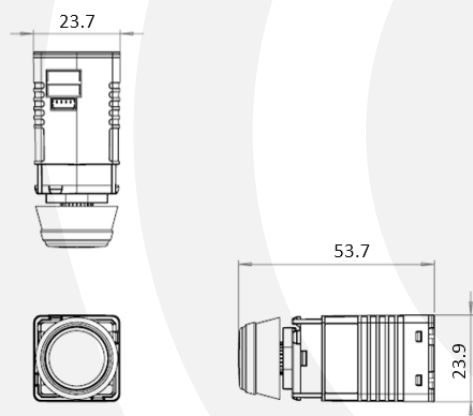
Modular switch range – Rotary Switch

Specifications

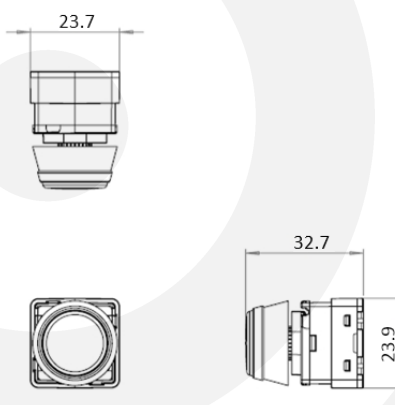
Parameter	Specification		
Available types	Push Button Master Rocker Master Rotary Master	Push Button Slave Rocker Slave Rotary Slave	
LED colours	Master and slave RAPIX modular switches include both white and amber LED indicators. The operation of these LEDs and LED colours is configured in the RAPIX software tools		
Number of slaves which can be connected to a master	Master switch type	Slave push / rocker switches	Slave rotary switches
	Push Button	Up to 5	N/A
	Rocker	Up to 5	N/A
	Rotary	N/A	1
Maximum distance between a master and eHub	100m		
Maximum distance between a master and a connected slave	100mm (via pre-terminated slave cable)		
IP Rating	IP20		
Approvals	   		

Dimensions

Master



Slave



Approvals & Compliance

IP20  

CONTACT INFORMATION

Web www.diginet.net.au
 General Enquiries: 1300 95 DALI (3254) sales@diginet.net.au
 Technical Services: 1300 95 3244 support@diginet.net.au
 Fax: 1300 95 3257

PRODUCT OF GERARD LIGHTING PTY LTD

ABN – 94 122 520 307
 96-112 Gow Street
 Padstow NSW 2211



DIGINET IS A BRAND OF THE GERARD LIGHTING GROUP

The product includes a **TWO-YEAR WARRANTY** against manufacturing defects. Fully warranty terms can be found here www.diginet.net.au
COPYRIGHT. ©This document is copyright to Gerard Lighting Pty Ltd. Except as permitted under relevant law, no part of this user and installation guide may be reproduced by any process without written permission of and acknowledgement to Gerard Lighting. **DISCLAIMER.** Gerard Lighting Pty Ltd (Gerard Lighting) reserves the right to alter the specifications, designs or other features of any items and to discontinue any items at any time without notice and without liability. While every effort is made to ensure that all information in this user and installation guide is correct, no warranty of accuracy is given and Gerard Lighting shall not be liable for any error. **TRADEMARKS.** The identified trademarks and copyrights are the property of Gerard Lighting Pty Ltd unless otherwise noted.